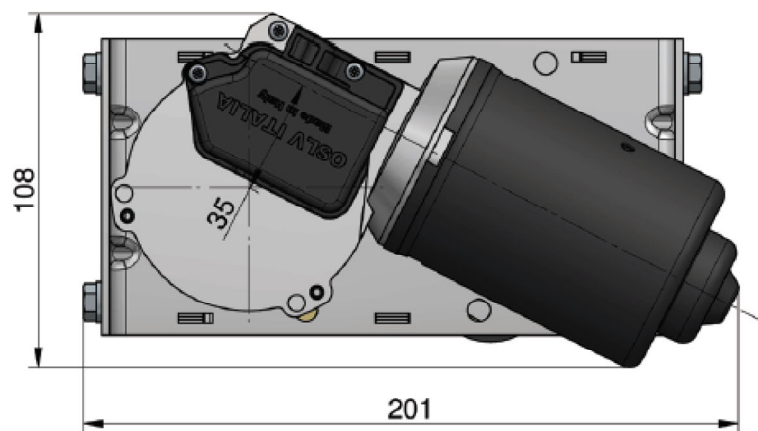
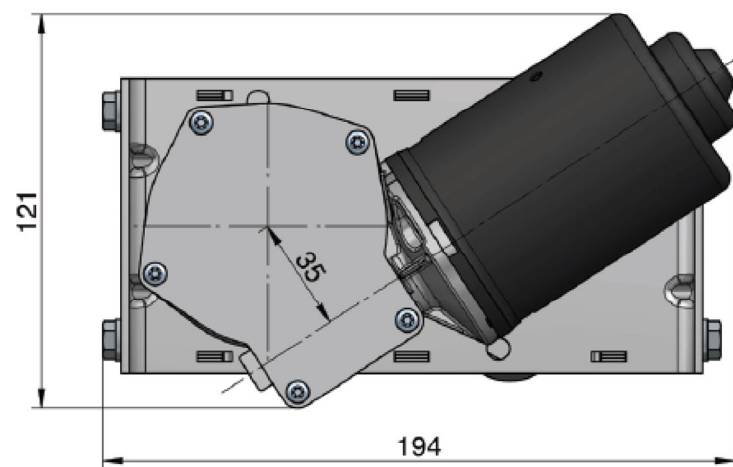


Compact Small (closed)



COMPLETE WIPER MECHANISM (LINKAGE + DC GERMOTOR Ø62-35)



COMPLETE WIPER MECHANISM (LINKAGE + DC GERAMOTOR Ø62-35)

TECHNICAL DATA

DESCRIPTION	1 SPEED		2 SPEED	
	Nominal voltage (V)	12V	24V	12V
Testing voltage (V)	13V	26V	13V	26V
No load speed (RPM)	40		30/50	
Nominal torque (Nm)	3,5			
Starting torque (Nm)	35			
Wiping angle (α)	45°, 55°, 60°, 65°, 70°, 75°, 80°, 90°, 105°			
Bushes length (L mm)	23, 30, 38, 43, 47, 73, 78, 102, 113			
Weight (Kg)	3,0 Kg			
Max length of single arm + blade	Arm < 700mm Blade < 700mm			
Max length of pantograph arm + blade	Arm < 700mm Blade < 700mm			
Parking position	Left or Right			



DOWNLOAD
COMPACT SMALL (CLOSED)
TECHNICAL SKETCH